

1

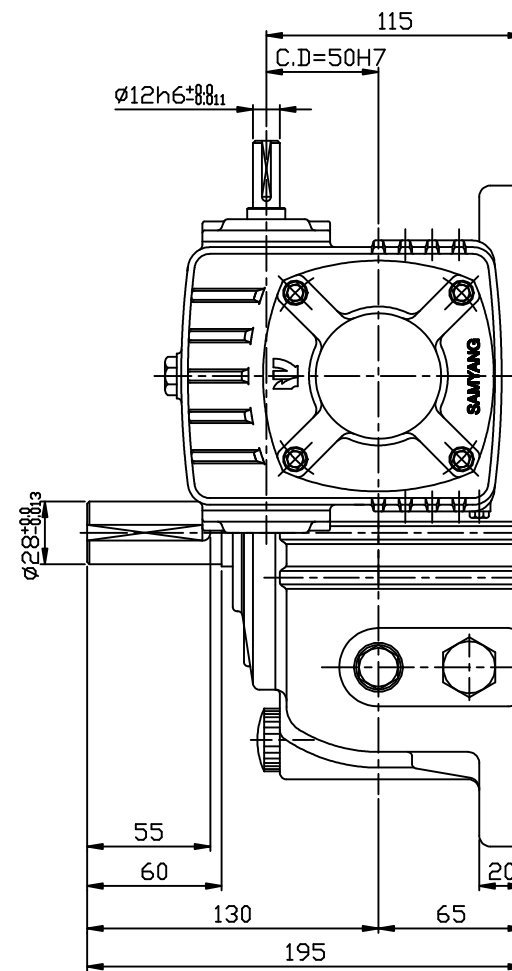
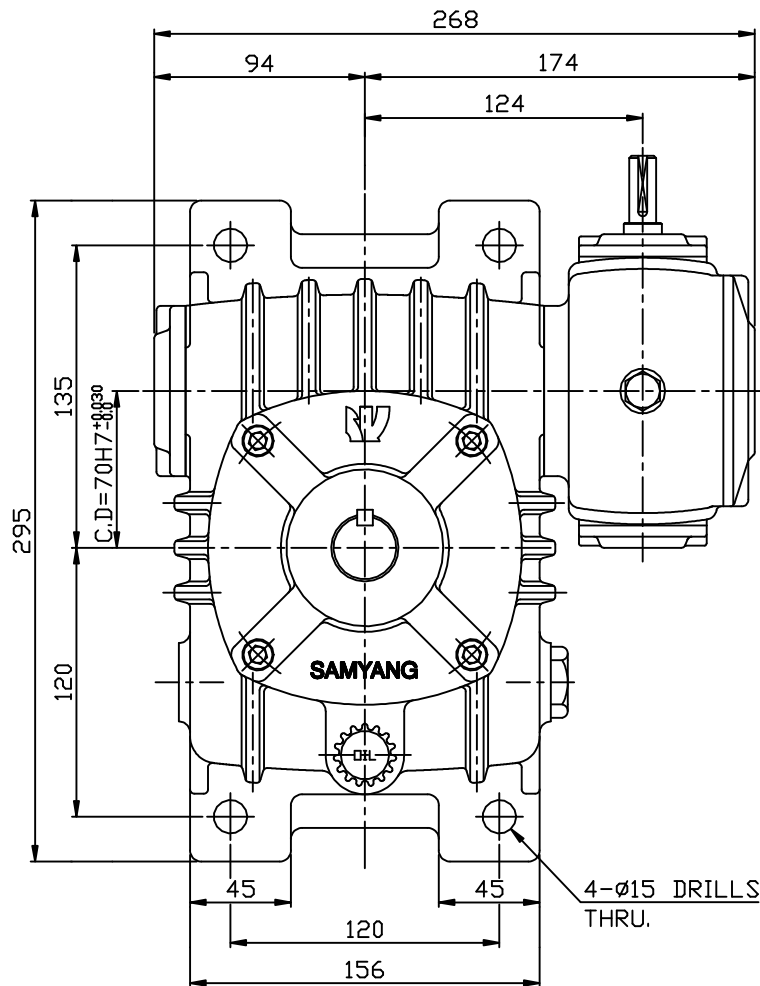
2

3

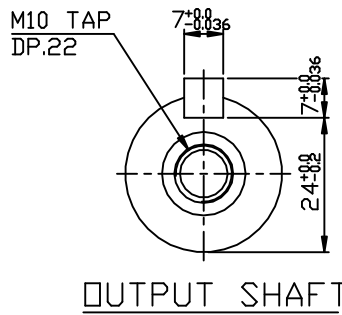
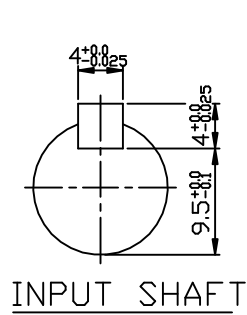
4

DWG. NO.

REV	ZONE	DESCRIPTION	DRAWN	APPRVD	DATE



M5*0.8
M6* 1
M8*1.25
M10*1.5
M12*1.75
M16* 2
M18*2.5
M20*2.5
M22*2.5
M24*3



NO	PART NO.	DESCRIPTION	Q'TY	MATERIAL
DESIGN	DATE	SCALE	TITLE	SHEET
CHECK		1 / 2.5	OUTLINE DWG.	1 / 1
APPROV			MAX21 WORM REDUCER DWV70 i=1/200~1/900 A-TYPE	
<b>SAMYANG</b> REDUCTION GEARS CO., LTD		DWG SIZE	DWG. NO.	REV
		A3	DWV70_A	

1

2

3

4