

1 2 3 4

REV	ZONE	DESCRIPTION	DRAWN	APPRVD	DATE

A

B

C

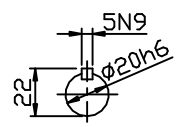
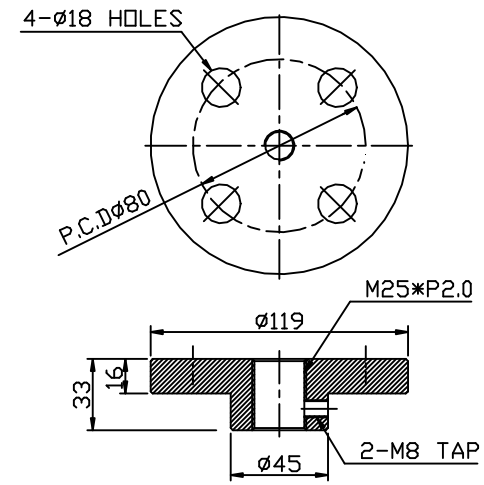
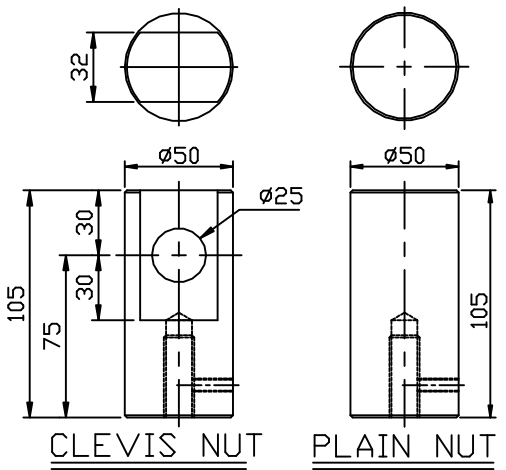
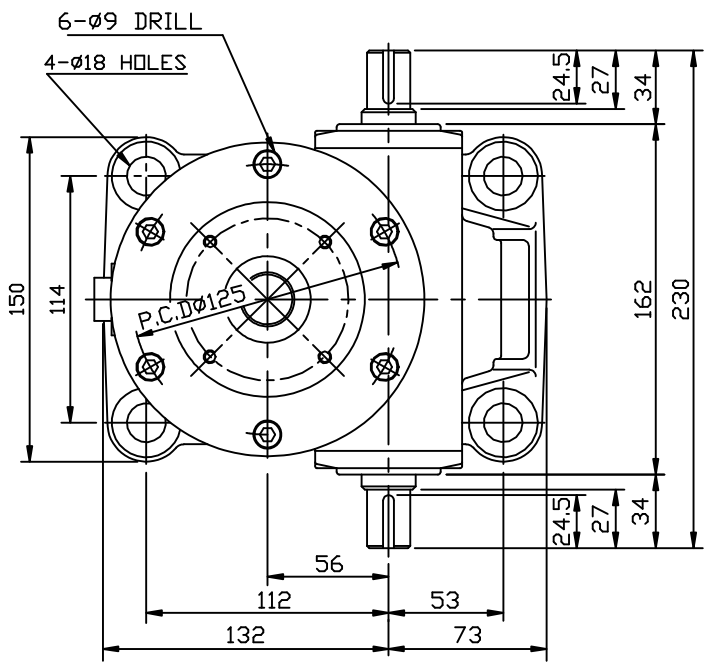
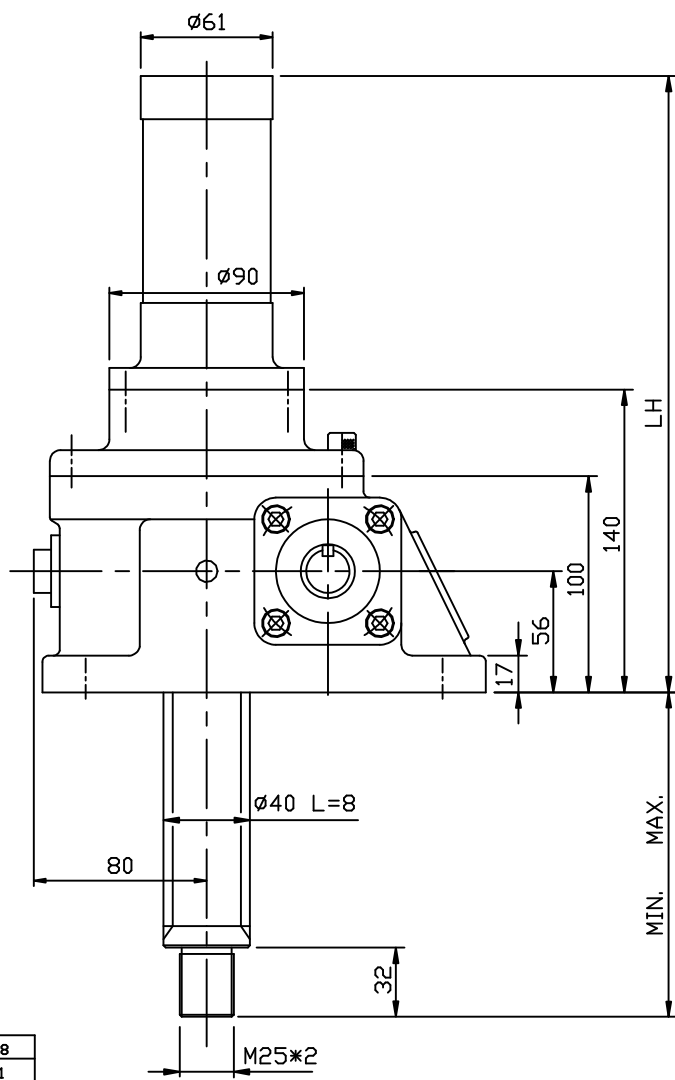
D

A

B

C

D



M5*0.8
M6*1
M8*1.25
M10*1.5
M12*1.75
M16*2
M18*2.5
M20*2.5
M22*2.5
M24*3

CHAMFER	R	10 - 120	±0.15
FILLET	R	1.0	120 - 315 ±0.2
마무리	▽	315 - 1000	±0.3
		1000 이상	±0.5

NO	PART NO.	DESCRIPTION	Q'TY	MATERIAL
1	SJ-56-HIN-1	SCREW JACK		

NAME	DATE	SCALE	TITLE	SHEET
		2.5	MAX SCREW JACK	1
CHECK			56형	1
APPROV				

DWG SIZE	DWG. NO.	REV
A3	SJ-56-HIN	

1 2 3 4