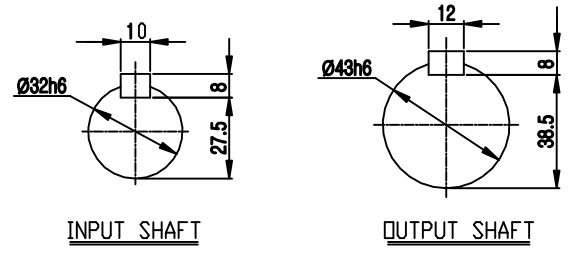
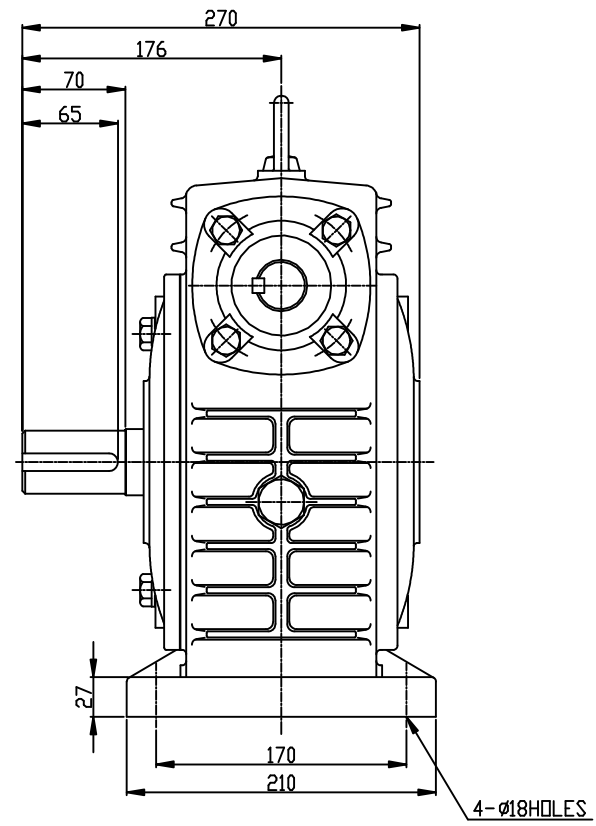
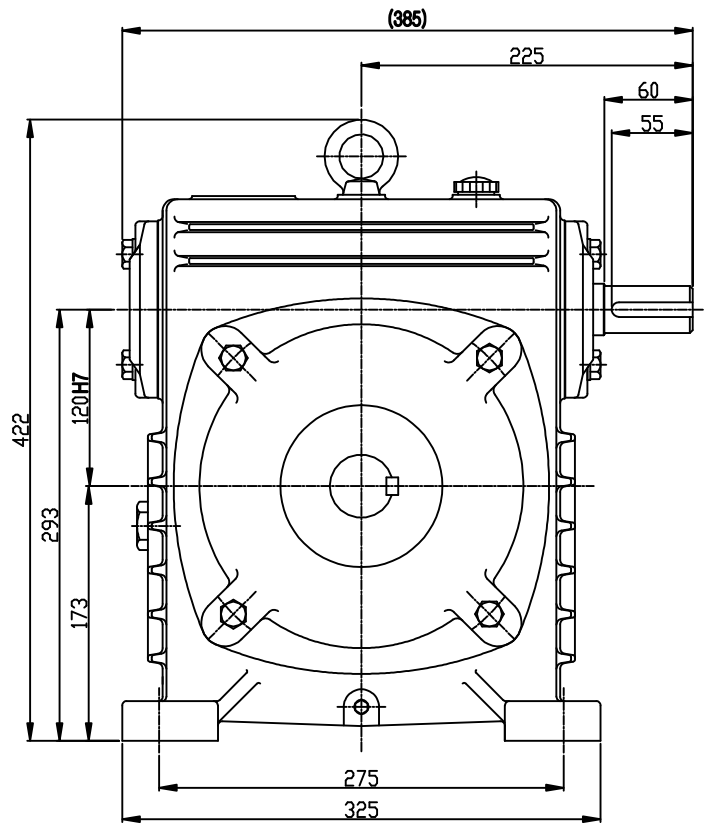


REV	ZONE	DESCRIPTIONS	DRAWN	APPRVD	DATE



M5*0.8
M6* 1
M8*1.25
M10*1.5
M12*1.75
M16* 2
M18*2.5
M20*2.5
M22*2.5
M24*3

표기	일반 공차
각도 : ±0.2°	6 - 30 : ±0.1
CHAMFER: C1.0	30 - 120 : ±0.15
FILLET: R1.0	120 - 315 : ±0.2
마무리: ∇	315 - 1000 : ±0.3
	1000 이상 : ±0.5

NO	PART NUMBER	DESCRIPTIONS	QTY	MATERIAL

NAME	DATE	SCALE	TITLE	SHEET
			OUTLINE DWG.	1/1
CHECKED		1/1	STANDARD WORM REDUCER WU120	1/1
APPROVED			i=1/10~1/60 B-TYPE	
SAMYANG REDUCTION GEARS CO., LTD		DWG SIZE	DWG. NO.	REV
		A1	SYWU120	

