

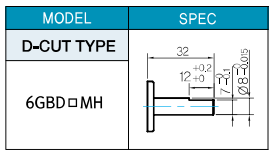
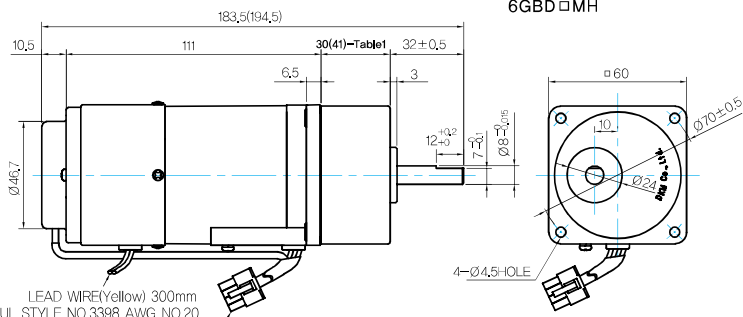
GEARED MOTOR

G TYPE GEARBOX

MOTOR MODEL: 6SBDG□-6G (NO FAN)

GEARBOX MODEL: 6GBD□MH

GEARBOX OUTPUT SHAFT



30(41)-Table1

SIZE(mm)	GEAR RATIO
30	6GBD3MH - 6GBD18MH
41	6GBD25MH - 6GBD360MH

WEIGHT

PART		WEIGHT(kg)
MOTOR		1.22
GEAR BOX	6GBD3MH - 6GBD18MH	0.30
	6GBD20MH - 6GBD40MH	0.32
	6GBD50MH - 6GBD250MH	0.34

*출력 FLANGE와 SHAFT는 별매입니다.

LEAD WIRE(Yellow) 300mm
UL STYLE NO.3398 AWG NO.20

LEAD WIRE ASS'Y 300mm
MOTOR UL STYLE NO.3286 AWG NO.20
T.G UL STYLE NO.1007 AWG NO.22

Motor Images

