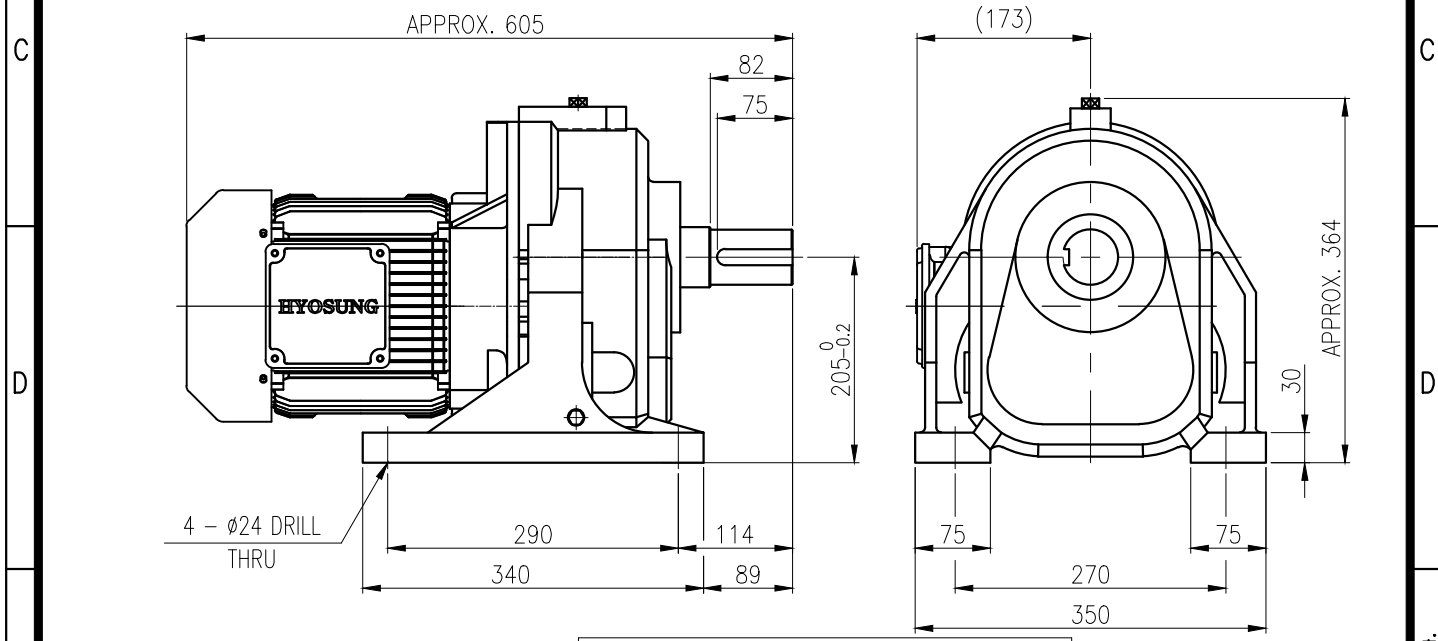
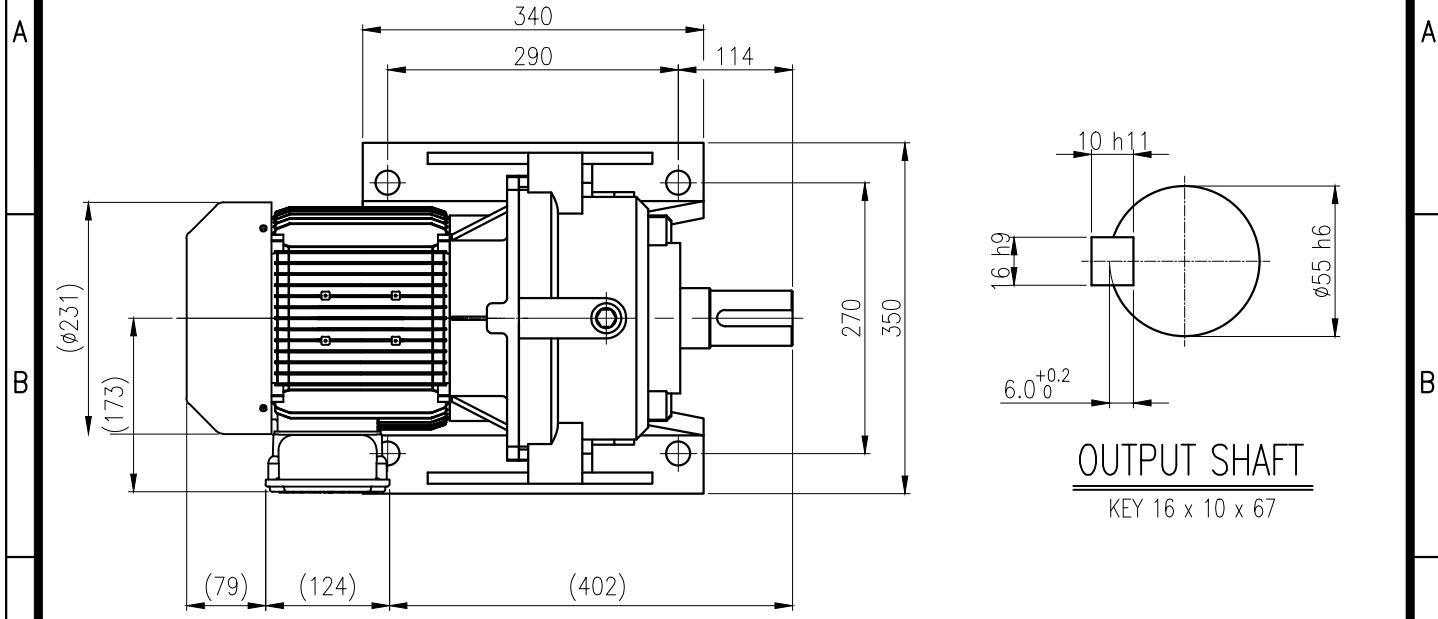


	1	2	3	4	5
--	---	---	---	---	---

No.	NAME	MATERIAL	DWG/MATL No.	CODE	Q'TY	SIZE	WEIGHT	REMARK
					0			



		BEARING		
		INPUT SHAFT	6206ZZ 6207ZZ	
OIL SEAL		2ND PINION	6205ZZ 6204ZZ	GREASE : NLGI(EP)00
MOTOR SHAFT	D(M) 35 x 47 x 7	3RD PINION	6208ZZ 6308ZZ	ABOUT 1.5 kg
OUTPUT SHAFT	D(M) 60 x 85 x 12	OUTPUT SHAFT	PM4530 22212	WEIGHT 104 kg

		DWG NAME		외형도 OUTLINE DIMENSION						
		DWG No.		EK2D0100757H0001		UNIT	mm			
						SCALE	1:1			
F	No.	DATE	DESCRIPTION of REVISION		DESIGNED	CHECKED	REVIEWED	APPROVED	DATE	2024-02-02
					2024.02.02	2024.02.02	2024.02.02	2024.02.02	REVISION No.	00
					KIM.S.M	KIM.S.M	JUNG.S.S	JUNG.C.S	THIRD ANGLE PROJECTION	
TYPE F1HA_20_3.7kW_40~60:1_프리미엄				REF. No.	(EK2D007670H0001)			(A)		

이 도면상에 표시된 정보는 포항중공업(주)의 소유이며 회사의 사전 서면동의 없이 무단사용을 금합니다.