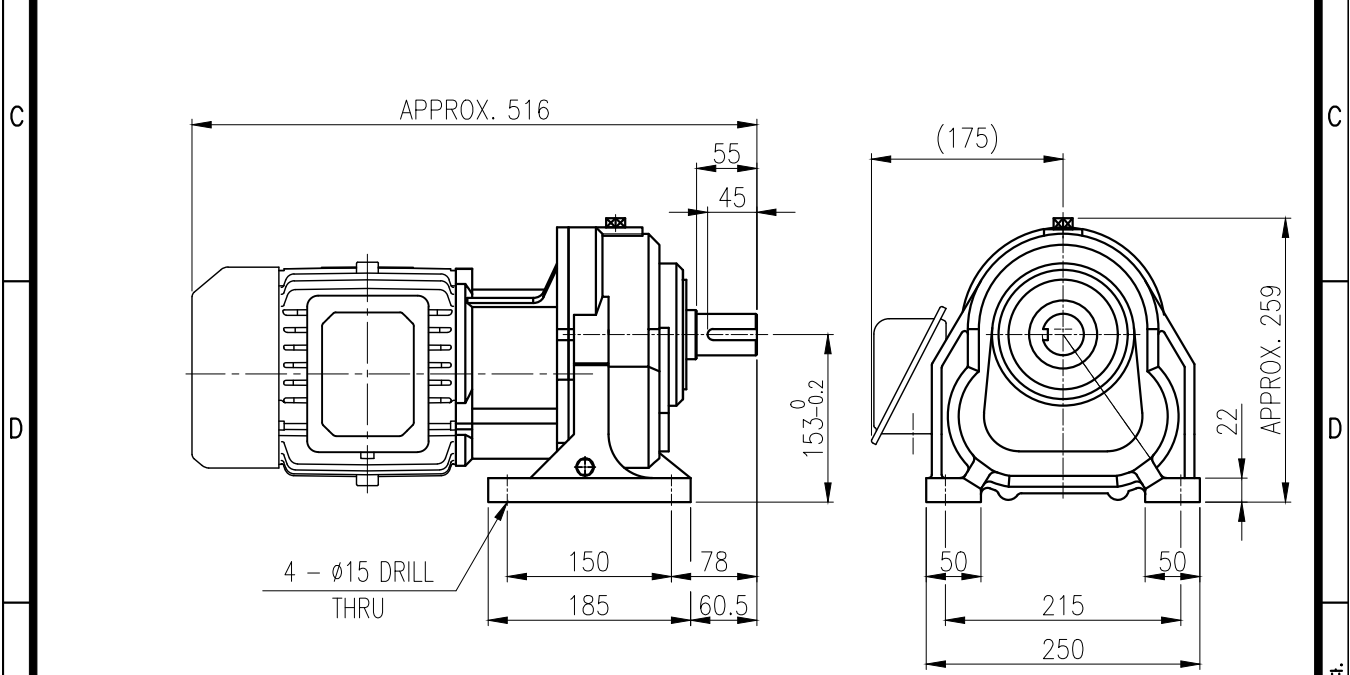
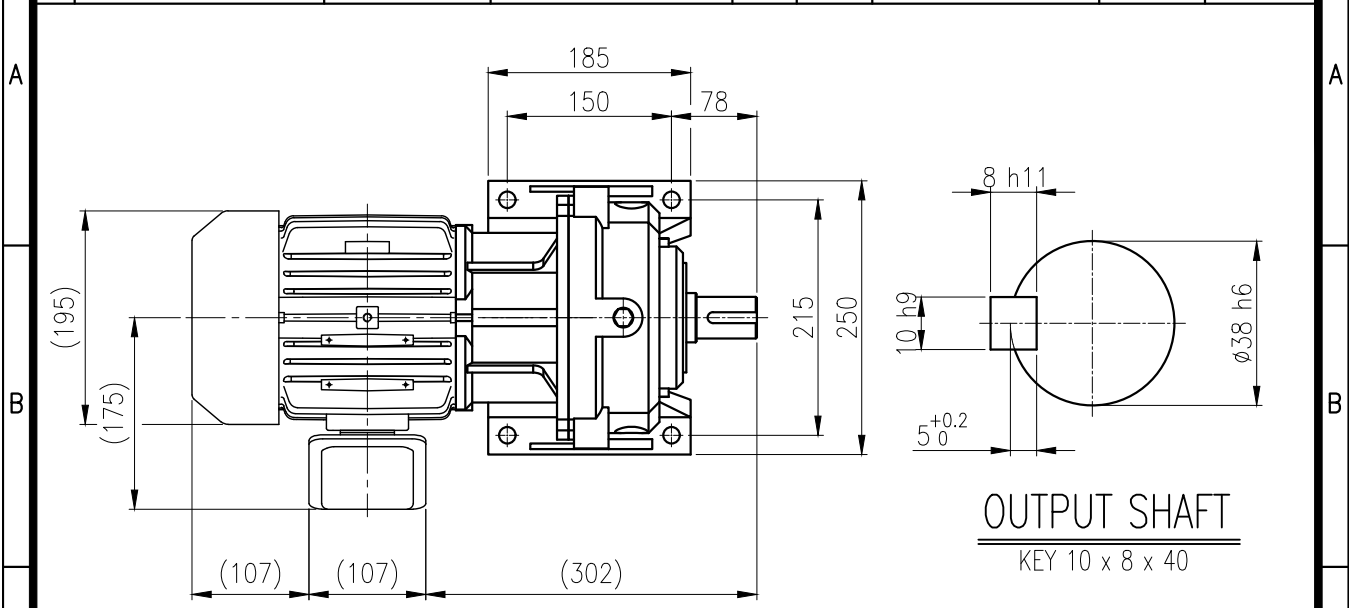


1	2	3	4	5				
No.	NAME	MATERIAL	DWG/MATL No.	CODE	Q'TY	SIZE	WEIGHT	REMARK
					0			



			BEARING		
			INPUT SHAFT	6204ZZ 6205ZZ	
	OIL SEAL		2ND PINION	6204ZZ 6304ZZ	GREASE : NLGI(EP)00
MOTOR SHAFT	D(M) 25 x 38 x 8		3RD PINION	- -	ABOUT 0.6 kg
OUTPUT SHAFT	D(M) 45 x 62 x 12	OUTPUT SHAFT	PM3030 6309ZZ		WEIGHT 52 kg

		DWG NAME		외형도 OUTLINE DIMENSION	
		DWG No.		UNIT	mm
		EK2D007663H0001		SCALE	1:1
No.	DATE	DESCRIPTION of REVISION			
A4(210x297mm)	FORM CE-14-0100-444 2013.11.20				
TYPE		F1HM_15_1.5kW_5~30:1_프리미엄		DESIGNED	2019.01.21
REF. No.		-		CHECKED	2019.01.21
				REVIEWED	2019.01.21
				APPROVED	2019.01.21
				DATE	2019-01-21
				REVISION No.	01
				THIRD ANGLE PROJECTION	
				(A)	

이 도면에 표시된 정보는 호성중공업(주)의 소유이며, 당사의 사전 서면동의 없이 무단사용을 금합니다.