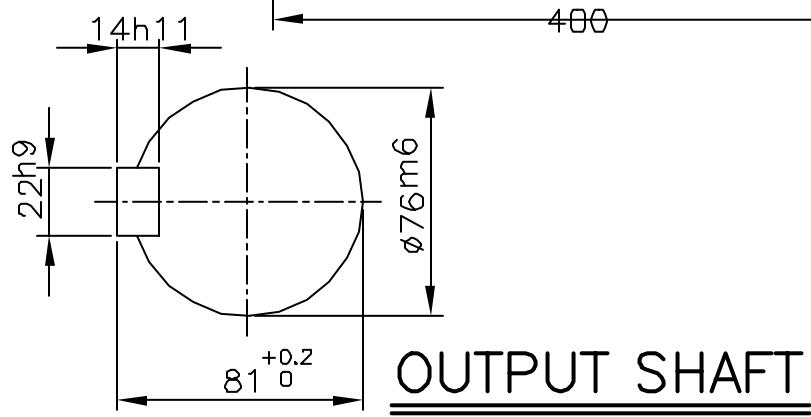
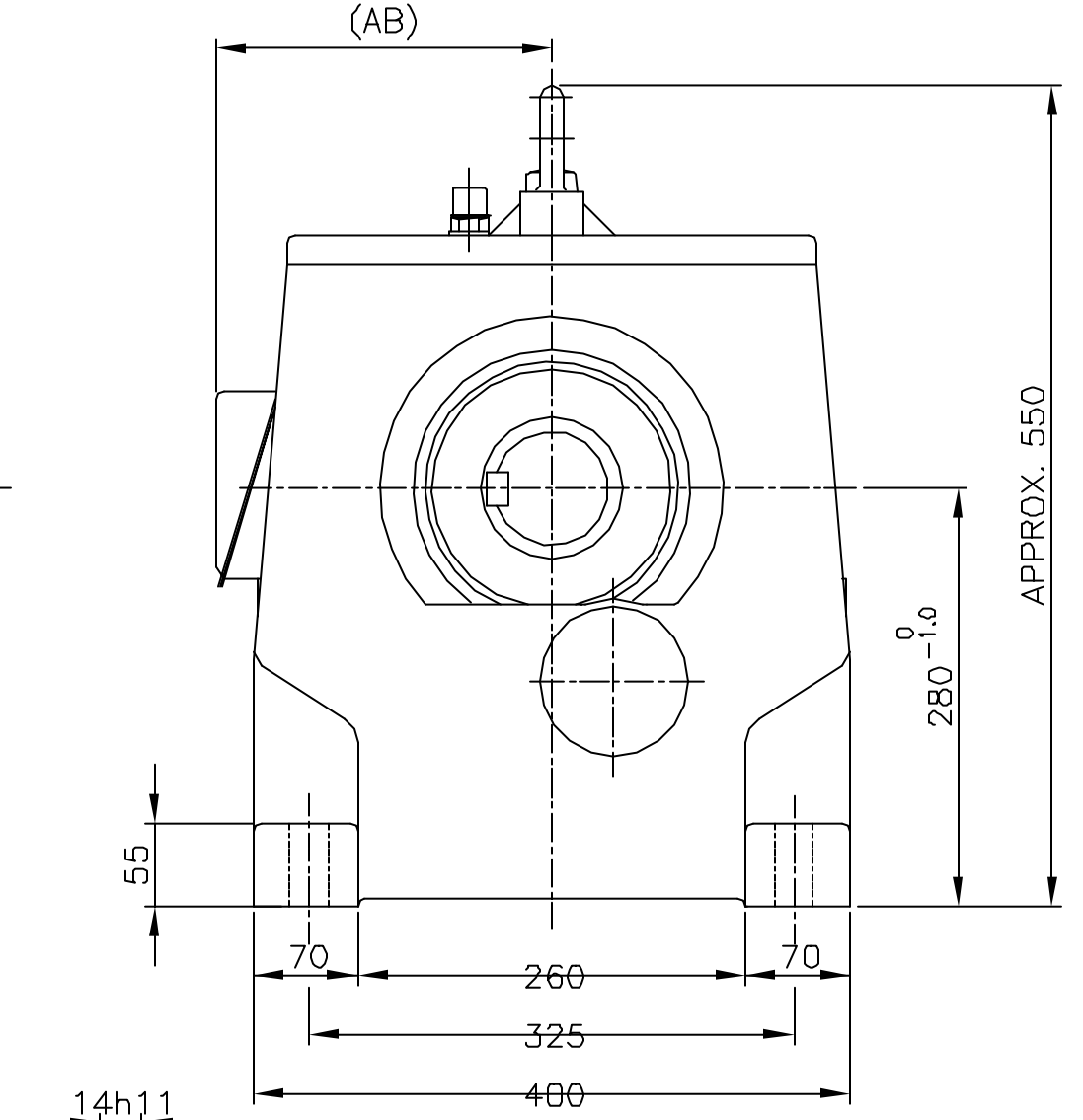
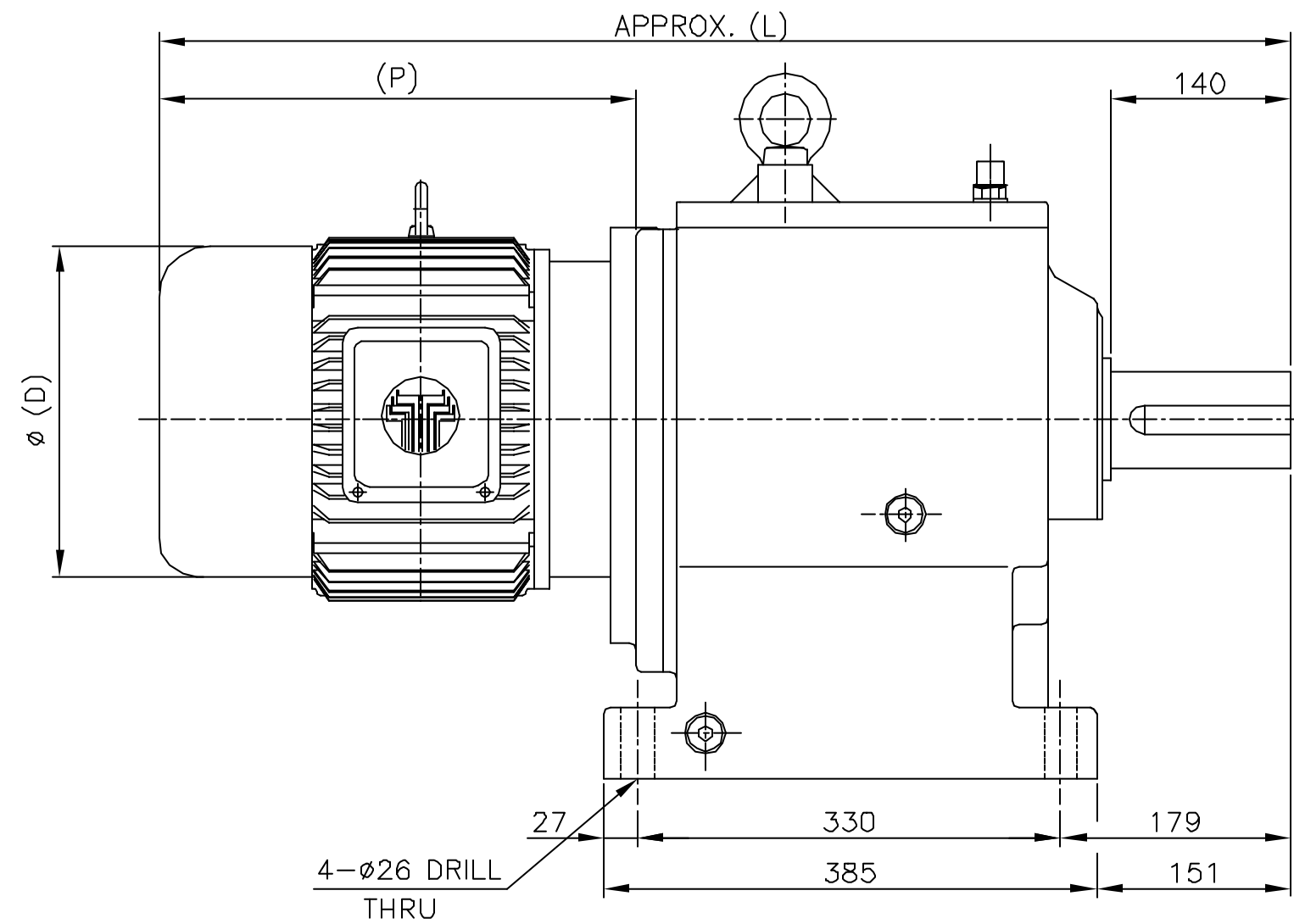


DWG NO. **G K D S 4 7 1**

NO	NAME	MATERIAL	DWG.NO.	Q'TY	SIZE	REMARKS
	DIMENSION					



항 번	(L)	(P)	(D)	(AB)	(1)	(2)	(3)	(4)	(5)
G01	883	352	284	215	6206ZZ	6308ZZ	40x62x11	300	132S
G02	921	390	284	215	6206ZZ	6308ZZ	40x62x11	310	132M
G03	991	460	337	269	6207ZZ	6310ZZ	50x72x12	340	160M
G04	1035	504	337	269	6207ZZ	6310ZZ	50x72x12	365	160L
G05	1090	559	374	288	6212ZZ	6312ZZ	60x82x12	380	180M
G06	1130	599	374	288	6212ZZ	6312ZZ	60x82x12	395	180L
G07	1220	689	414	317	6212ZZ	6313ZZ	65x90x13	520	200L
G08	1245	714	465	406	6314	6314	70x95x13	635	225S
G09	1270	739	465	406	6314	6314	70x95x13	665	225M

NOTE : 감속비가 1/15이하일 경우는 ()안의 베어링은 제외시키고
 *** 부분의 베어링은 # NJ308E, # 21309, # NJ309E를 사용함.

REV	DESCRIPTION	APPR	CHCK	DRWN	DATE
△					
△					
△					
△					
△					

B	# (1)	# (2)	OIL SEAL
R	(# 6307)	(# NJ307E)	INPUT D(M) (3)
G	*** # NJ309E	# NJ309E	OUTPUT D(M) 95 x 140 x 13
	# 22211	# 22216	WEIGHT : (4) kg
	Lubricant : ISO VG 220		MOTOR FRAME (5) FR

TYPE HHM28				DWG. NAME DIMENSION		
APPROV 김 98.07.13	CHECK 김 98.07.13	DESIGN 홍 98.07.13	DRAWN	THIRD ANGLE PROJECTION	SCALE 1/5	DATE 1997.5.30.
HYOSUNG INDUSTRIES CO.,LTD.				REF DWG NO.	DWG NO. G K D S 4 7 1	