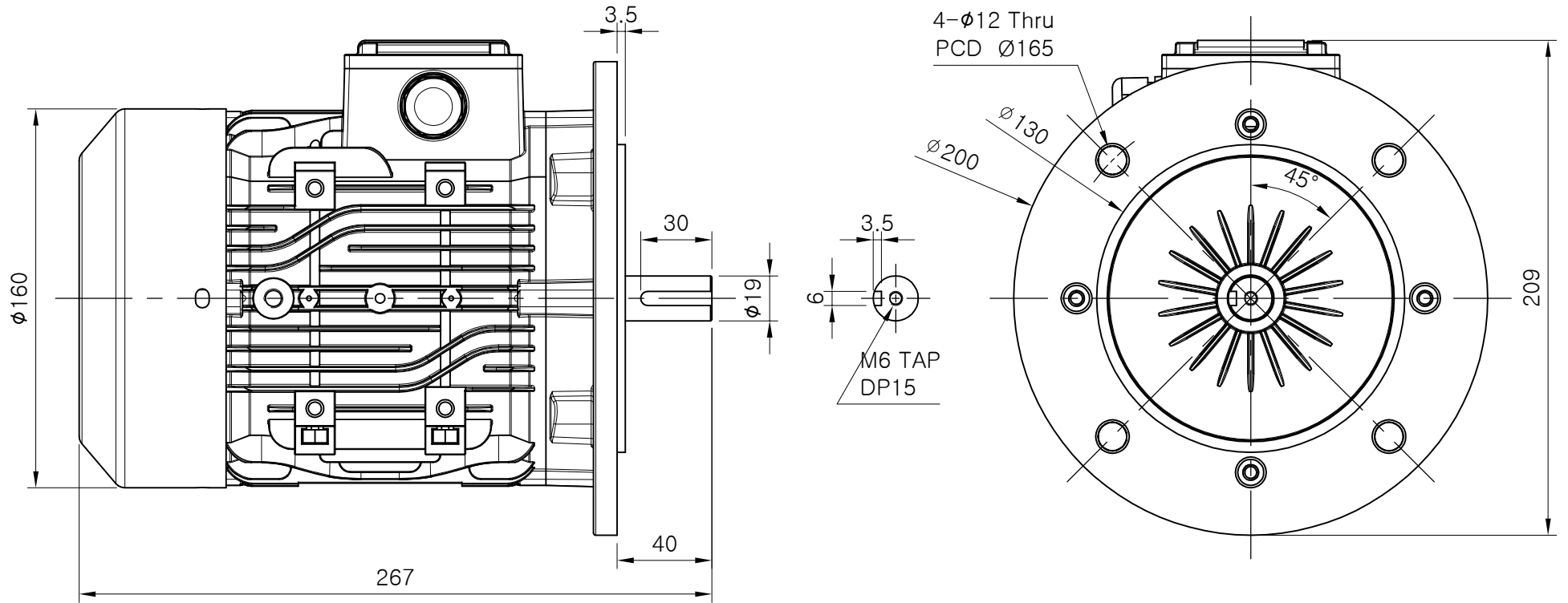


CUSTOMER
IE3 3Ø 0.75KW(1HP) 2P B5

No.	Description of Revision	Date	Name	Approval
△ X				

2023.02.01



※ NOTE ※
1. 케이블 그랜드 : PG13.5

DRAWING	KIM S.C	DATE	2023.02.01	3RD ANGLE PROJECTION	Title	B5 3Ø 1HP 2P	
DESIGNED		CHECKED			Drawing No.	IE3 B5-301.02A	
CHECKED		SCALE	1/1		UNIT	MM	SHEET
APPROVED					Model No.	IKM-0752P	



IK ELECTRIC CO., LTD. Model No. IKM-0752P REV. 0

This drawing contains information that is proprietary to IK Electric Co.,Ltd And should not be used without written permission.