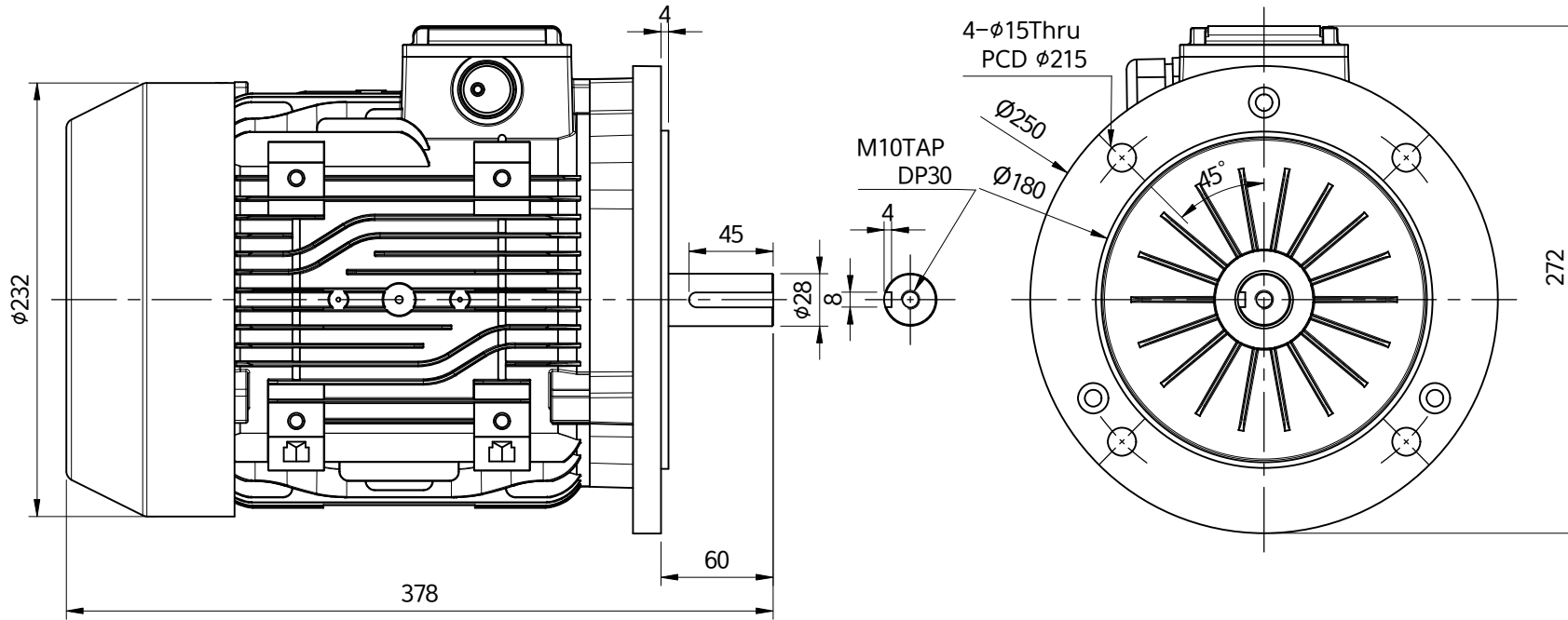


CUSTOMER
IE3 3Ø 3.7KW(5HP) 2P B5

No.	Description of Revision	Date	Name	Approval
△ X				

2024.09.12



※Note※
1. 케이블그랜드 PG21

DRAWING	KIM S. C	DATE	2024.09.12	3RD ANGLE PROJECTION	Title	B5 3Ø 5HP 2P Premium
DESIGNED		CHECKED		SCALE	UNIT	Drawing No.
CHECKED		APPROVED		1/1	MM	1 / 1
APPROVED						Model No.
						IKM-372P
						REV.
						0

IK ELECTRIC CO., LTD.
This drawing contains information that is proprietary to IK Electric Co.,Ltd
And should not be used without written permission.

A4