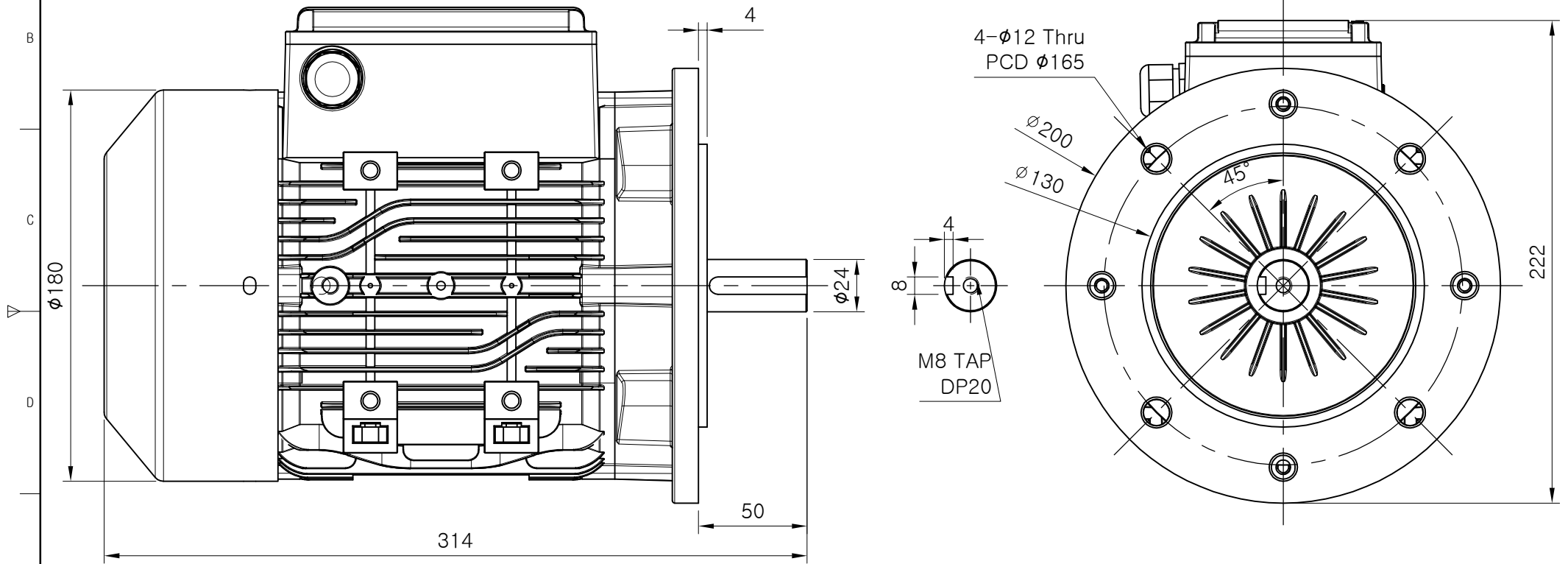


CUSTOMER  
IE1 1Ø 0.75KW(1HP) 4P B5

No.	Description of Revision	Date	Name	Approval
△ X				

2023.02.02



※ NOTE ※  
1. 케이블 그랜드 : PG13.5

DRAWING	KIM S. C	DATE	2023.02.02	3RD ANGLE PROJECTION	Title	B5 1Ø 1HP 4P
DESIGNED		CHECKED		SCALE	UNIT	Drawing No.
APPROVED		1/1	MM	SHEET	1 / 1	B5-101.04A

**IK** IK ELECTRIC CO., LTD. Model No. IKS-0754P REV. 0

This drawing contains information that is proprietary to IK Electric Co.,Ltd And should not be used without written permission.