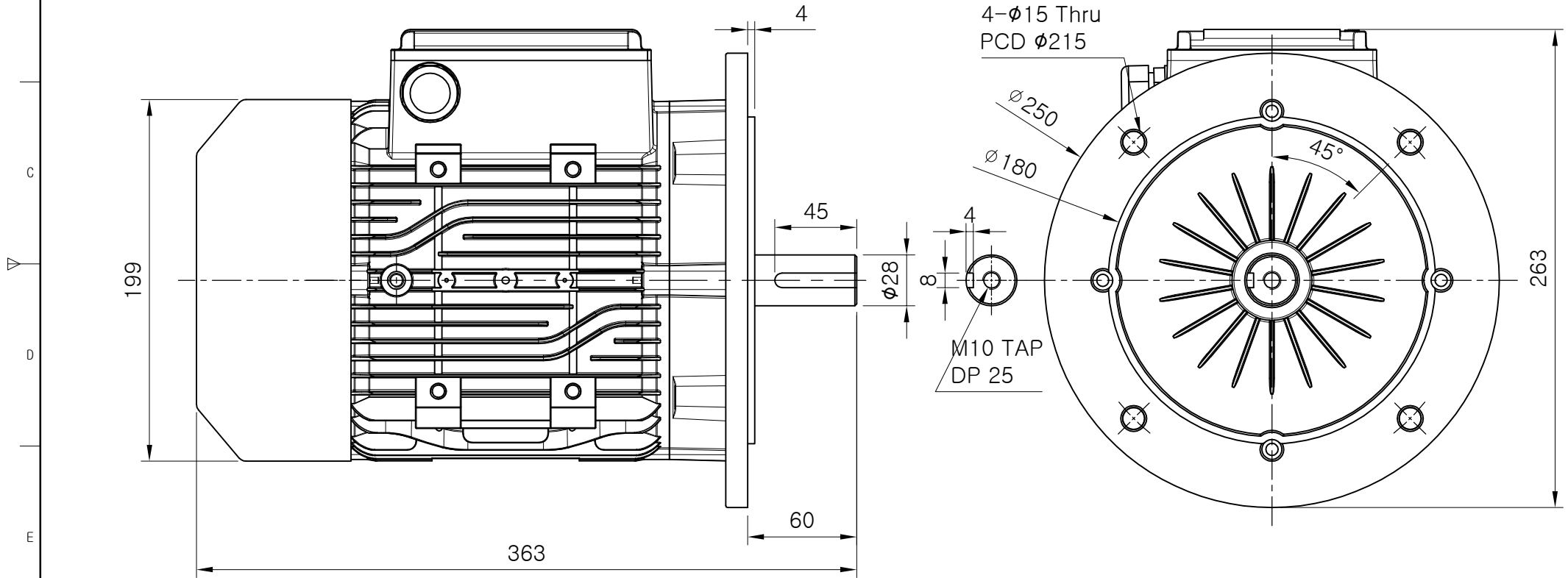


CUSTOMER
IE1 1Ø 2.2KW(3HP) 4P B5

No.	Description of Revision	Date	Name	Approval
△ X				

2023.02.06



DRAWING	KIM S. C	DATE	3RD ANGLE PROJECTION	Title
DESIGNED		2023.02.06		B5 1Ø 3HP 4P Premium
CHECKED		SCALE	UNIT	Drawing No.
APPROVED		1/1	MM	IE1 B5-103.04A
				Model No.
				IKS-2204P
				REV.
				0

IK ELECTRIC CO., LTD.

This drawing contains information that is proprietary to IK Electric Co.,Ltd
And should not be used without written permission.