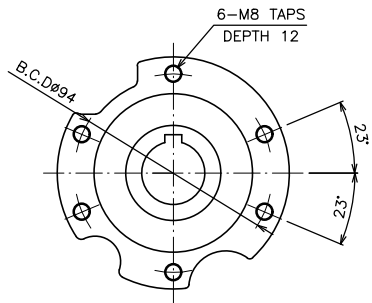
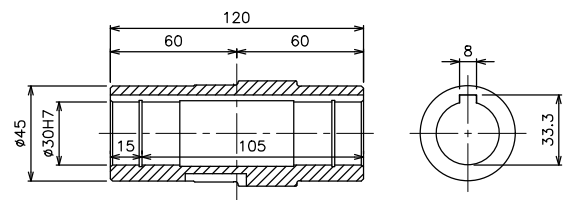
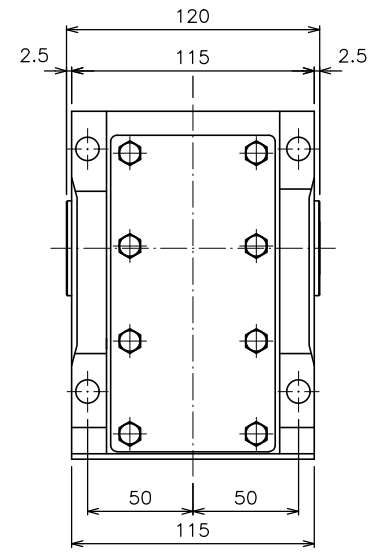


NO.	REVISION	DATE	DESIGNED	CHECKED	APPROVED
△					
△					



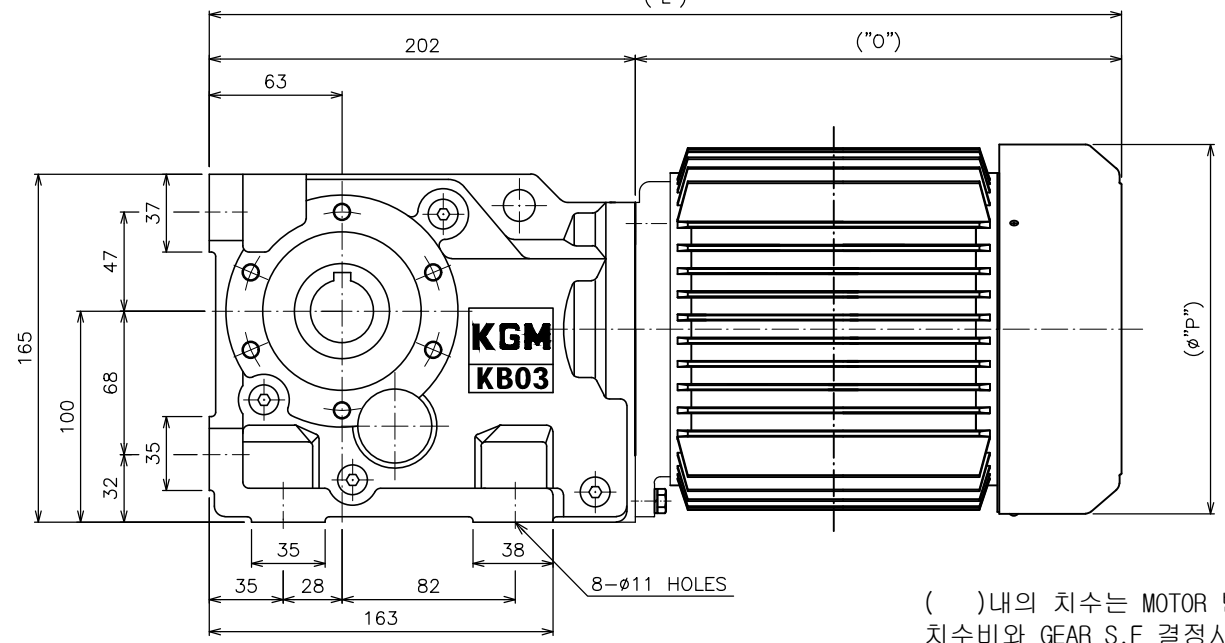
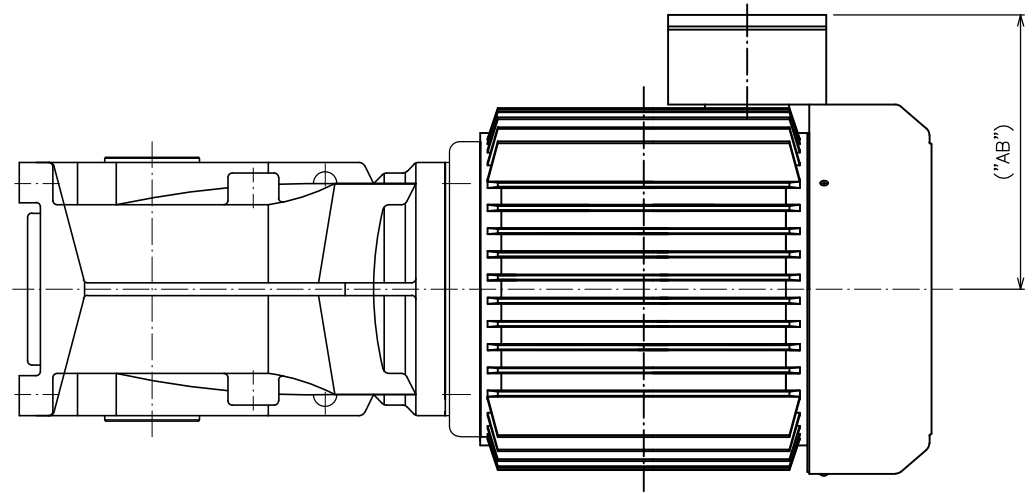
OUT-PUT FLANGE



HOLLOW SHAFT

M5*0.8
M6* 1
M8*1.25
M10*1.5
M12*1.75
M16* 2
M18*2.5
M20*2.5
M22*2.5
M24*3

TOOTH CHAMFERING	MODULE			P	15°	1.65~2.35*MM	15°	표기외 일반 공차	
	5	5-15	15					각도 : ±0.2°	6 - 30 : ±0.1
HQ. T	C1	0.2	0.5	1.0	1.0MM	1.65~2.35*MM	15°	CHAMFER: C1.0	30 - 120 : ±0.15
	C2	1.0	1.5	2.0				FILLET: R1.0	120 - 315 : ±0.2
HC & HQ. I	C1	0.5	1.0	2.0	1.0MM	1.65~2.35*MM	15°	마무리: ▽	315 - 1000 : ±0.3
	C2	2.0	3.0	5.0				1000 이상 : ±0.5	



()내의 치수는 MOTOR 변경에 따른 치수비와 GEAR S.F 결정시 치수 확정됨.

No.	DESCRIPTION	SPECIFICATION	MAT'L	Q'TY	W/T	REMARK
TITLE SPEC.	BEVEL GEARED MOTOR	KB03 HSM	CUSTOMER	STANDARD TYPE		
DRAWN	KSS	SCALE	1 / 1	UNIT	mm	
DESIGN	YHH	DATE	2021.02.04	PROJECTION	☺	
CHECKED		REF. No.				REV. No. △
APPROVED		DRAWING No.	KGM-KB03-HSM-00-00-0D			